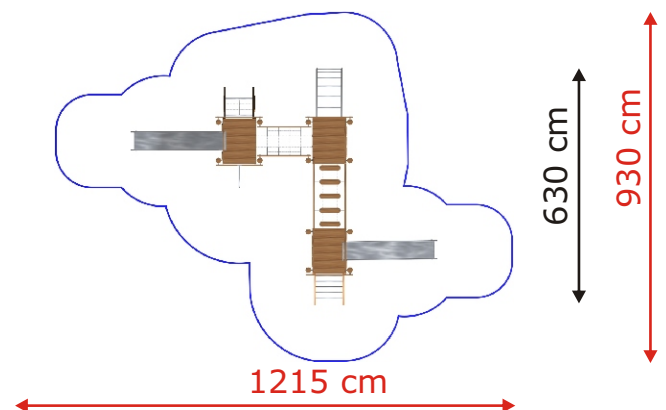
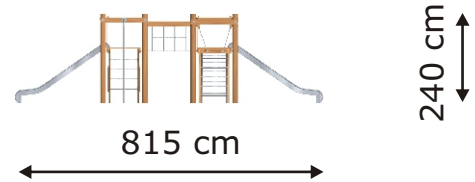


Dimensions: 815x630 cm
 Total height: 240 cm
 Safety zone: 1215x930 cm
 Platform height: 150 cm
 Critical Falling Height: 150 cm
 Requires falling surface: YES
 Spare parts available: YES
 Acc. to EN 1176: YES
 Age level: 3+ years



Product logbook

PRODUCT DATA

Product name: _____
Catalogue No.: _____
Product type: **NATURE** _____
Critical Falling Heigh: **150** _____ **cm**
Dimensions: **815x630** _____ **cm**
Safety Zone: **1215x930** _____ **cm**
Age Level: **3+** _____ **years**

COMPANY DATA

Name: _____
Address: _____
Zip code/city: _____
Place: _____
Phone: _____
Fax: _____
Email: _____

Product Photo/Picture**OWNERS DATA**

Name: _____
Contact: _____
Address: _____
Zip code/city: _____
Place: _____
Phone: _____
Fax: _____
Email: _____

AREA DATA

Placing: _____
Address: _____
Zip code/city: _____
Place: _____
Playground name: _____
Product number: _____

ADMINISTRATOR DATA

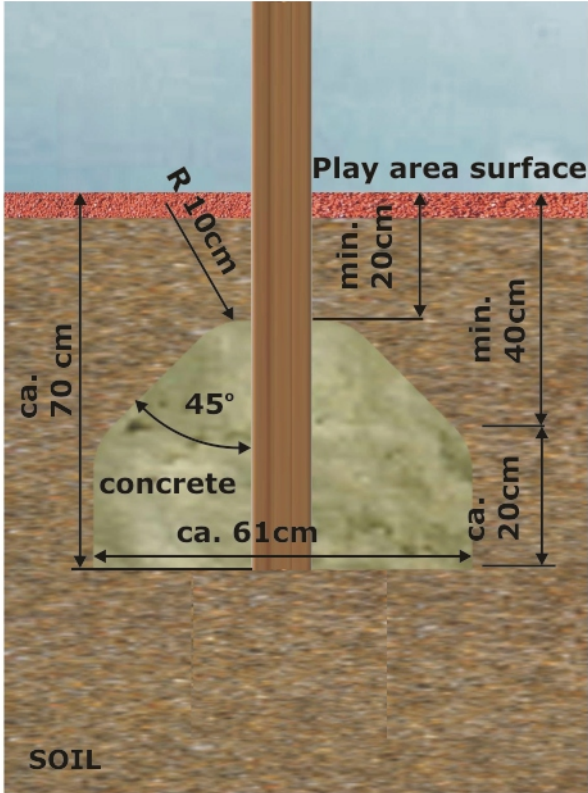
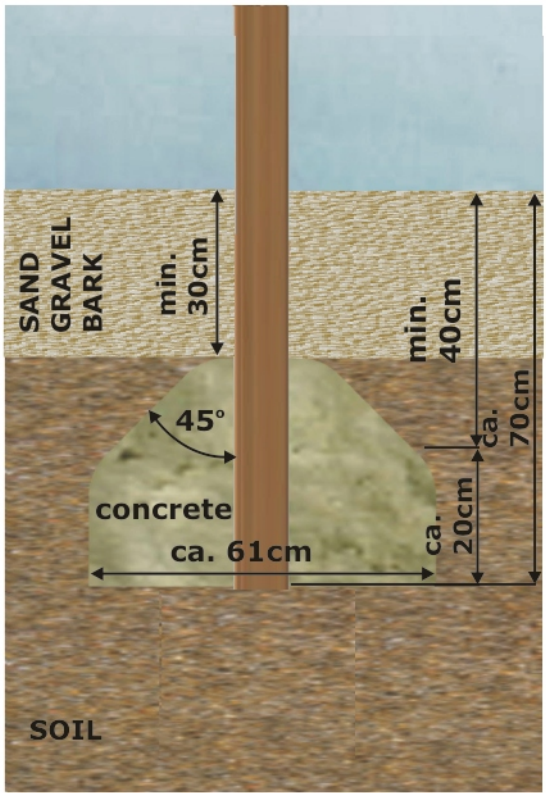
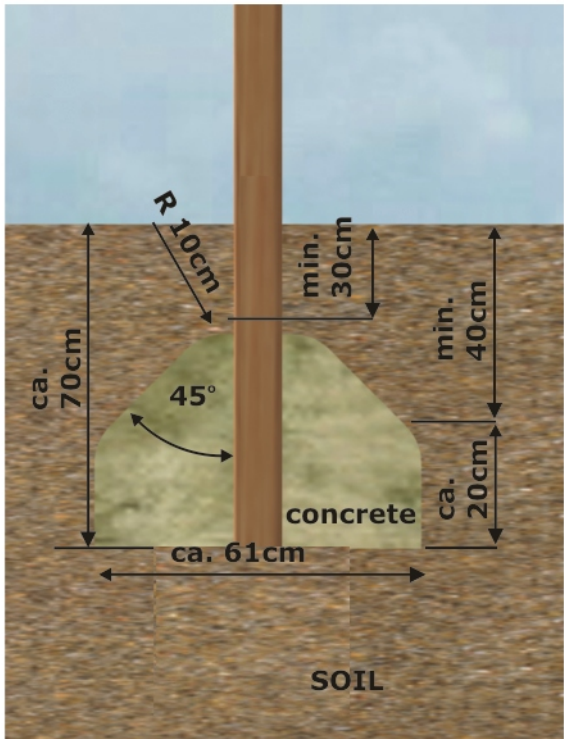
Name: _____
Contact: _____
Address: _____
Zip code/city: _____
Phone: _____
Fax: _____
Email: _____

SURFACE

Material: _____
Dimensions: _____
Underground: _____
Supplier: _____

Buying date: _____
Installation: _____
Guarantee: _____

Installation manual

<p>wooden posts 70 cm in-ground</p>	<p style="text-align: center;">SURFACE</p>  <p>Play area surface</p> <p>R 10cm</p> <p>min. 20cm</p> <p>ca. 70 cm</p> <p>45°</p> <p>concrete</p> <p>ca. 61cm</p> <p>ca. 20cm</p> <p>min. 40cm</p> <p>SOIL</p>	<p style="text-align: center;">SAND, GRAVEL, BARK</p>  <p>SAND GRAVEL BARK</p> <p>min. 30cm</p> <p>min. 40cm</p> <p>ca. 70cm</p> <p>45°</p> <p>concrete</p> <p>ca. 61cm</p> <p>ca. 20cm</p> <p>SOIL</p>
	<p style="text-align: center;">GROUND</p>  <p>R 10cm</p> <p>min. 30cm</p> <p>ca. 70cm</p> <p>45°</p> <p>concrete</p> <p>ca. 61cm</p> <p>ca. 20cm</p> <p>min. 40cm</p> <p>SOIL</p>	